

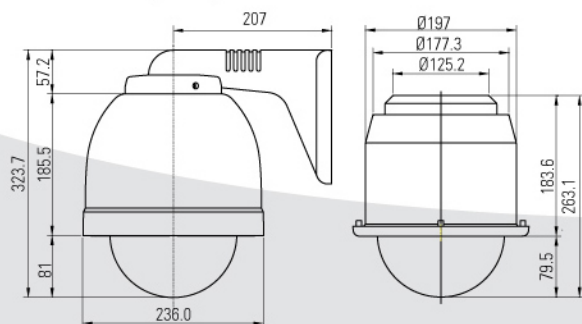
WSJ-300 Integrated Speed Dome Camera



FEATURES

- Outdoor application
- Ø166 Polycarbonate Dome Cover
- Easy interface with multiple protocols
- IP66 environmental structure
- Optical 30x zoom (Maximum 99mm focal length)
- High quality images with 520 TV Lines (Color) / 570 TV Lines (B/W)
- IR cut filter removable Day&Night
- Built-in Image Stabilizer function
- Digital Noise Reduction Technology (S/N ratio -50dB)
- Max. 380°/sec Panning speed (preset recall speed)
- Up to 248 programmable preset positions
- Up to 8 programmable Tours
- 4 memorized user control patterns up to 240 seconds (speed and position, lens controls)
- 8 zones of image masking for Privacy
- 8 alarm inputs and 2 outputs can be programmed
- Auto Flip function
- AC 24V, 1A (3A with Fan & Heater)

DIMENSIONS (mm)



SPECIFICATIONS

❖ Mechanical

Pan	360° Endless Pan 0.1° to 90°/sec. (64 steps proportional to zoom)
Preset Speed	380°/sec. ± 0.1° Accuracy
Tilt	0.1°/sec. to 90°/sec. (proportional to zoom)
Preset Speed	150°/sec. ± 0.05° Accuracy
Weight	Unit : 4.4kg
Dimensions	236(Ø) x 319(H)mm - 166(Ø) of dome

❖ Environmental

Ingress Protection	IP66 (Outdoor housing)
Construction	Aluminum
Color	Cool Gray
Operating Temp	
Indoor	0°C to 50°C
Outdoor	-40°C to 50°C
Storage Temp	-20°C to 60°C
Humidity	0% to 90%
Fan operate	40°C ON, 30°C OFF
Heater operate	5°C ON, 15°C OFF

❖ Functions

Preset	248 points less than 0.1° accuracy
Tour	8 programmable
Pattern	4 patterns for 240 second.
Flip	Auto / Off (rotate 180° at bottom of tilt)
Auto Scan	8 (programmable speed and diagonal scan)
Privacy Zone	8 blocks with title (Masking / Video off)
Address	Up to 999 selectable ID (Rotary switch)
Control	RS-485 / RS-422 Multiple protocol (Auto detection or DIP Swich setting) 2400, 4800, 9600, 19200 bps selectable
Alarm In	8 alarm (NO/NC)
Alarm Out	2 relay out
Display	16 Area title North direction on/off (N,S,W,E) Zone title on/off (start / end zone) Camera title on/off (8 character)

❖ Electrical

Power	AC 24V, 60Hz / AC 24V 50Hz (Power adaptor not included)
Consumption	18.0 W (1.2A Max.)
Heater	30W
Fan	3.4W

❖ User Connections

Power (Camera)	21 - 28VAC, 50/60Hz - 18W Max.
Power (Heater)	21 - 28VAC, 50/60Hz - 30W Max.
RS-422, 485	+ / - Optional Control Data
Video	BNC
Alarm Inputs	8 Programmable for N/O or N/C
Relay Out	2 relay out

❖ Certification

CE EMC, FCC CLASS A, RoHS



Wall

In-Ceiling

Ceiling

WSJ-300 Integrated Speed Dome Camera

SPECIFICATIONS

Model	WSJ-300N	WSJ-300P
Image Pick-up Device	1/4" Super HAD CCD	
Effective Pixels	768(H) x 494(V)	752(H) x 582(V)
Scanning System	525 Lines 2 : 1 Interlace 60 Fields / 30 Frames	625 Lines 2 : 1 Interlace 50 Fields / 25 Frames
Synchronization	Internal / Line-lock selectable	
Scanning Frequency	15.734KHz(H) / 59.94Hz(V)	15.625KHz(H) / 50Hz(V)
Horizontal Resolution	Color : 520 TV Lines (Min.) / B/W : 570 TV Lines (Min.)	
Zoom Ratio	30x, f3.3 ~ 99.0mm (F1.6 ~ 3.2)	
Digital Zoom	Built-in (2X ~ 10X, Total 300X zoom)	
Min. Illumination	0.7Lux@F1.6 (Normal color mode) 0.1Lux@F1.6 (B/W mode) 0.005Lux@F1.6 (Sens-up mode)	
Digital Image Stabilizer(DIS)	On / Off selectable	
S/N Ratio	50dB (AGC off, Weight on)	
Back Light Compensation	Low / Middle / High / Off selectable	
Day & Night	Color / B/W / Auto selectable (ICR filter change)	
Gain Control	Low / Middle / High / Off selectable	
White Balance	ATW / AWC / Manual selectable (1800°K ~ 10,500°K)	
Electronic Shutter Speed	Auto / Manual selectable (1/60 ~ 1/120,000)	Auto / Manual selectable (1/50 ~ 1/120,000)
Sens-up	On / Off (Selectable limit ~ 128x)	
Noise Reduction	Low / Middle / High / Off selectable	
Focus Control	Auto / Manual / One push selectable	
Iris Control	Auto / Manual selectable	

Model	WSJ-301N	WSJ-301P
Image Pick-up Device	1/4" Vertical double density interline CCD	
Effective Pixels	768(H) x 494(V)	752(H) x 582(V)
Scanning System	525 Lines 2 : 1 Interlace 60 Fields / 30 Frames	625 Lines 2 : 1 Interlace 50 Fields / 25 Frames
Synchronization	Internal / Line-lock selectable	
Scanning Frequency	15.734KHz(H) / 59.94Hz(V)	15.625KHz(H) / 50Hz(V)
Horizontal Resolution	Color : 520 TV Lines (Min.) / B/W : 570 TV Lines (Min.)	
Zoom Ratio	30x, f3.3 ~ 99.0mm (F1.6 ~ 3.2)	
Digital Zoom	Built-in (2x ~ 8x, Total 240x zoom)	
Min. Illumination	0.4Lux @ F1.6 (Normal color mode) 0.08Lux @ F1.6 (B/W mode) 0.003Lux @ F1.6 (Sense-up mode)	
Wide Dynamic Range	52dB	
S/N Ratio	50dB (AGC off, Weight on)	
Day & Night	Color / B/W / Auto selectable (ICR filter change)	
Gain Control	Low / Middle / High / Off selectable	
White Balance	ATW / AWC / Manual selectable (1800°K ~ 10,500°K)	
Electronic Shutter Speed	Auto / Manual selectable (1/60 ~ 1/120,000)	Auto / Manual selectable (1/50 ~ 1/120,000)
Sens-up	On / Off (Selectable limit ~ 128x)	
Noise Reduction	Low / Middle / High / Off selectable	
Focus Control	Auto / Manual / One push selectable	
Iris Control	Auto / Manual selectable	

SPECIFICATIONS

Model	WSJ-E361N	WSJ-E361P
Image device	1/4-type Super HAD	
Effective picture elements	Approx. 380,000 pixels	Approx. 440,000 pixels
Lens	36x optical zoom, f=3.4 mm (wide) to 122.4 mm (tele), F1.6 to F4.5	
Digital zoom	12x (432x with optical zoom)	
Viewing angle (H)	57.8°(wide end) to 1.7°(tele end)	
Minimum working distance	320 mm (wide end) to 1,500 mm (tele end)	
Sync system	Internal / External (V-lock)	
Minimum illumination	1.4Lux (typical value), 0.1Lux at 1/4sec mode, 0.01Lux at 1/4sec & ICR-ON mode	
S/N ratio	More than 50 dB	
Electronic shutter	1/1 to 1/10,000 s, 22 steps	
White balance	Auto, ATW, Indoor, Outdoor, One-push, Manual	
Gain	Auto / Manual (-3 to 28 dB, 2 dB steps)	
AE control	Auto, Manual, Priority mode	
Back-light compensation	On / Off	
Focusing system	Auto, One-push AF, Manual	

Model	WSJ-E261N	WSJ-E261P
Image device	1/4-type Super HAD	
Effective picture elements	Approx. 680,000 pixels	Approx. 800,000 pixels
Lens	26x optical zoom, f=3.5 mm (wide) to 91.0 mm (tele), F1.6 to F3.8	
Digital zoom	12x (312x with optical zoom)	
Viewing angle (H)	42.2° (wide end) to 1.6° (tele end)	
Minimum working distance	320 mm (wide end) to 1500 mm (tele end)	
Sync system	Internal/External (V-Lock)	
Minimum illumination	2.0Lux (typical value), 0.14Lux at 1/4sec mode, 0.05Lux at 1/4sec & ICR-ON mode	
S/N ratio	More than 50 dB	
Electronic shutter	1/1 to 1/10,000 s, 22 steps	
White balance	Auto, ATW, Indoor, Outdoor, One-push, Manual	
Gain	Auto/Manual (-3 to 28 dB, 2 dB steps)	
AE control	Auto, Manual, Priority mode	
Back-light compensation	On/Off	
Focusing system	Auto, One-push AF, Manual	

Model	WSJ-E181N	WSJ-E181P
Image device	1/4-type Super HAD	
Effective picture elements	Approx. 380,000 pixels	Approx. 440,000 pixels
Lens	18x optical zoom, f=4.1 mm (wide) to 73.8 mm (tele), F1.4 to F3.0	
Digital zoom	12x (216x with optical zoom)	
Viewing angle (H)	48.0° (wide end) to 2.8° (tele end)	
Minimum working distance	35 mm (wide end) to 800 mm (tele end)	
Sync system	Internal/External (V-Lock)	
Minimum illumination	0.7Lux (typical value), 0.1Lux at 1/4sec mode, 0.01Lux at 1/4sec & ICR-ON mode	
S/N ratio	More than 50 dB	
Electronic shutter	1/1 to 1/10,000 s, 22 steps	
White balance	Auto, ATW, Indoor, Outdoor, One-push, Manual	
Gain	Auto/Manual (-3 to 28 dB, 2 dB steps)	
AE control	Auto, Manual, Priority mode	
Back-light compensation	On/Off	
Focusing system	Auto, One-push AF, Manual	